

Group 1

First assignment:
Putting the given batteries in the right group.

Type of a battery	AA	AAA	Other batteries
Number of batteries			
Percentage (%)			

Second assignment:
Measuring batteries voltage.

Voltage	to 1 V	above 1 V
Number of batteries		
Percentage (%)		



Group 2

First assignment:
Putting the given batteries in the right group.

Type of a battery	AA	AAA	Other batteries
Number of batteries			
Percentage (%)			

Second assignment:
Measuring batteries voltage.

Voltage	to 1 V	above 1 V
Number of batteries		
Percentage (%)		



Group 3

First assignment:

Make a battery charger according to the given instructions.

Materials:



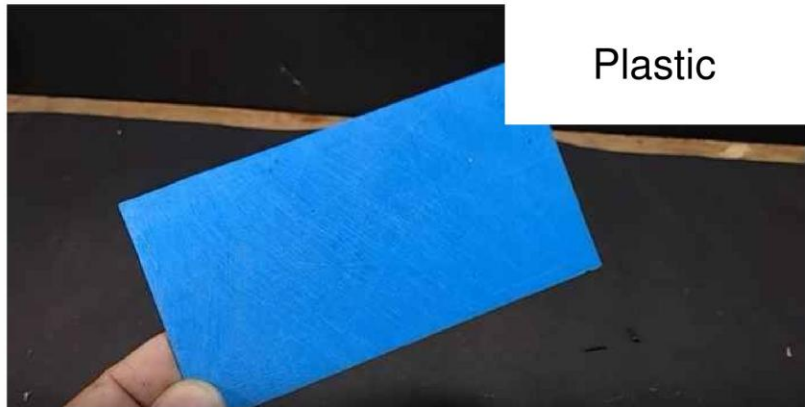
Old mobile
charger



Old TV
remote



Soldering Iron
tool



Plastic



Glue gun



Batteries

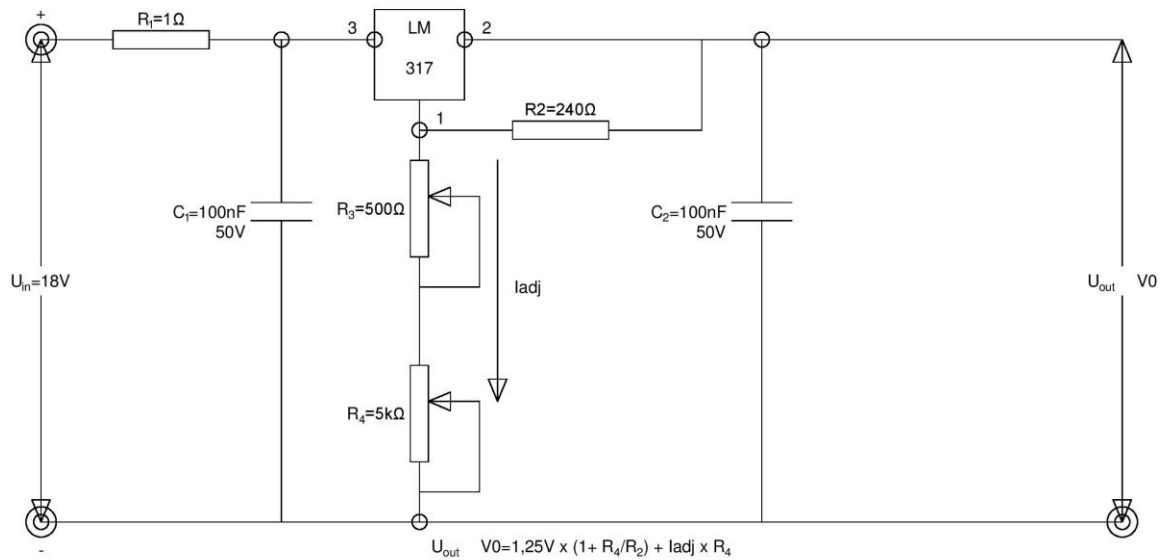
Second assignment:

Charge the batteries after you've made the charger.

Group 4

First assignment:

Make a battery charger according to the given illustrations.



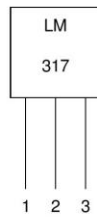
Resistors:

$R_1 = 1 \Omega$
 $R_2 = 240 \Omega$
 $R_3 = 500 \Omega$
 $R_4 = 5 k\Omega$

Capacitors:

$C_1 = 100 \text{ nF} / 50 \text{ V}$
 $C_2 = 100 \text{ nF} / 50 \text{ V}$

Typical adjustable regulator using LM 317



Second assignment:

Charge the batteries after you've made the charger.

